

CV3018S

18 Inch High-Power
Subwoofer

Professional Series

Key Features:

- ▶ 18" long excursion driver for extended low-frequency output
- ▶ Large vent for reduced distortion
- ▶ Enclosure constructed of 18 mm plywood and finished in DuraFlex™ coating
- ▶ High-strength front grille protects the system from foreign objects
- ▶ Multiple M10 suspension points for flying installation
- ▶ 35 mm socket for installation of satellite speaker atop
- ▶ Two integral handles for easy transport and setup

Applications:

- ▶ For commercial installed sound applications, e.g. background music playback or events in restaurants or hotel ballrooms.
- ▶ For use with satellite speakers.

CV3018S is a compact and high power subwoofer system designed by JBL for commercial installed sound applications. A 18" customized woofer featuring long excursion is installed in a front-loaded enclosure and is capable of handling power of 500W continuously. For optimal frequency response and minimum cabinet resonance, CV3018S constructs its cabinet from quality ply-wood and positions transducers and components based on meticulous calculation and simulation.

CV3018S designs its cabinet to meet different installation requirements. Multiple M10 threaded points and one 35 mm socket are available for either flying suspension or pole mounting of a main speaker atop. Two integral handles are provided for easy transport and setup. A pair of NL4 Neutrik Speakon® connectors allow loop-through connection of multiple speaker systems. For increased wear-resistance and extended longevity, CV3018S finishes its cabinet by DuraFlex™ coating and protects internals from foreign objects with a grille made from high-strength steel.

In collaboration with else CV3000 Series sibling models, CV3018S targets to bring powerful sound and exceptional reliability to a variety of commercial applications, be it background music playback or events in small-to-large size restaurants or hotel ballrooms.



Specifications:

System:	
Frequency Range (-10 dB) ¹ :	40 Hz – 200 Hz
Frequency Response (±3dB) ¹ :	50 Hz – 200 Hz
System Power Rating (IEC, 2 hrs) ³ :	500 W / 1000 W / 2000 W (continuous / music / peak)
Maximum SPL (1m) ² :	121 dB continuous average (127 dB peak)
System Sensitivity (2.83V@1m) ¹ :	97 dB
Nominal Impedance:	4 Ω
Transducers:	
LF Driver:	1 × 18" woofer
Physical:	
Enclosure:	18mm poplar plywood, fitted with handles
Suspension:	12 (3@top, 3@bottom, 2@each side, 2@rear) × M10 threaded hardware; 35mm OmniMount pole-mounting socket
Finish:	Black DuraFlex™ finish
Grille:	Powder coated, 1.5 mm perforated steel
Input Connector:	NL4 Neutrik Speakon® in parallel for loop-through
Dimensions (H × W × D):	548 mm × 561 mm × 720 mm (21.6 in × 22.1 in × 28.3 in)
Net Weight:	35.55 kg (78.4 lbs)

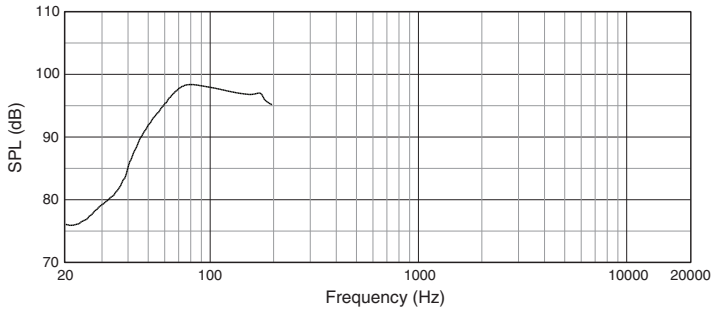
¹ Full space (4π) conditions

² Calculated maximum SPL based on rated power handling

³ IEC standard, pink noise with 6dB crest factor for 2 hours

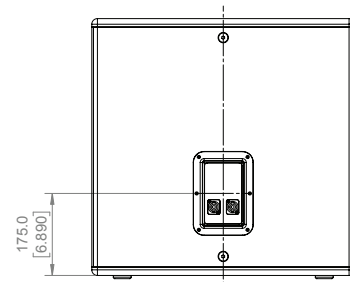
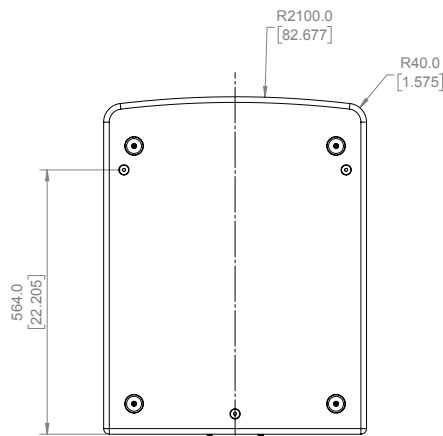
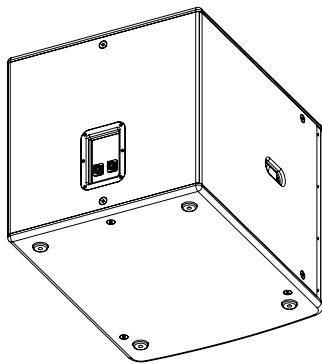
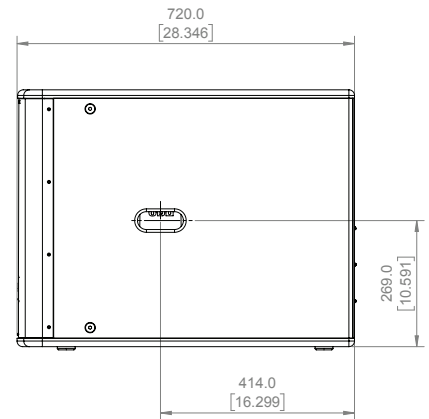
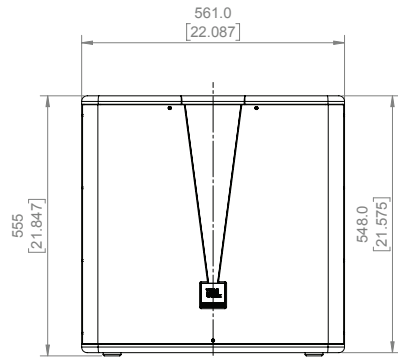
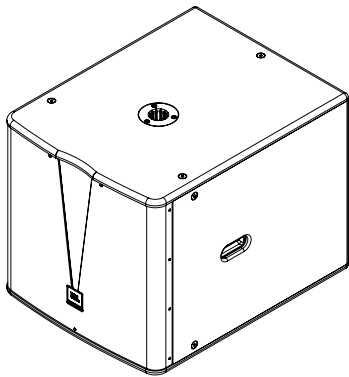
▶ CV3018S 18 Inch High-Power Subwoofer

Frequency Response:



Dimensions:

Dimensions in mm (inch)



JBL Professional
8500 Balboa Boulevard, P.O. Box 2200
Northridge, California 91329 U.S.A.

© Copyright 2018 JBL Professional
www.jblpro.com

SS CV3018S

SZ

07/05/18