

Professional Series

Key Features:

- ▶ High-performance 10" woofer features a sophisticated cone design with rubber surround for long-life, high reliability, and unsurpassed low-frequency reproduction
- ▶ Dual 1" silk dome neodymium tweeter
- ▶ Enclosure constructed of MDF (Medium Density Fiberboard) with vinyl laminated finish
- ▶ High-strength ABS (Acrylonitrile Butadiene Styrene) horn providing even and smooth frequency response
- ▶ Precision engineered crossover for optimal power response and performance in the critical mid-range region
- ▶ Built-in protection circuit engineered specifically to protect the tweeter without interrupting performance
- ▶ "Flat" and "Boost" switch offers two options in high frequency response



Applications:

The KS310 is a premium full-range speaker designed specially for KTV market needs.

The KS310 utilizes a 10" woofer and two 1" silk dome tweeters. The 10" woofer features a non-pressed long fiber pulp cone and pure nitrile butadiene rubber surround providing necessary stiffness and high reliability and capacity to withstand the tremendous accelerating force from the motor. An anodized aluminium voice coil former provides extra cooling for greater long-term power handling. The two 1" silk dome tweeters provide warm, clear and crisp high frequency and wide, even coverage of listening area.

The whole system can withstand 250 watts power capacity. High-strength ABS horn provides even and smooth frequency response as well as protection for the tweeters.

The enclosure is constructed of durable MDF wood with vinyl laminated finish and fitted with nickel-plated binding post for reliable connectivity. Two high-strength M10x40 attachment points guarantee the stability of suspension. The three-piece ABS grille provides excellent component protection. The cloth covered center grille adds a distinctive design element to the overall elegant appearance of the loudspeaker.

Specifications:

System:

System Type:	10", 2-way, bass-reflex
Frequency Range (-10 dB) ¹ :	65 Hz - 20 KHz
Frequency Response (±3 dB) ¹ :	76 Hz - 18 KHz
Sensitivity (1w/1m) ¹ :	88 dB
Nominal Impedance:	8 Ohms
Maximum SPL:	113 dB (119 dB peak)
Power Rating ² : (Continuous/Program/Peak)	250 W / 500 W / 1000 W
Coverage Pattern:	120° x 100° (H x V)

Physical:

Dimensions (H x W x D):	290 mm x 525 mm x 320 mm 11.4 in x 20.7 in x 12.6 in
Net Weight:	11.5 Kg/PC (25.6 lbs/PC)
LF Driver:	1 x 10" WF
HF Driver:	2 x 1" silk dome tweeter
Input Connectors:	Binding post
Enclosure Construction:	Vinyl covered 12 mm MDF

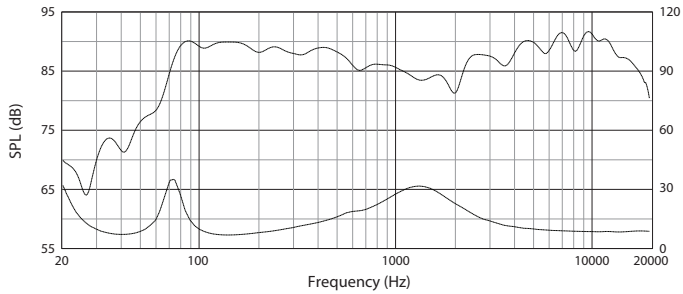
¹ Full space (4π) conditions

² IEC pink noise with 6 dB crest factor, in frequency range for 100 hours

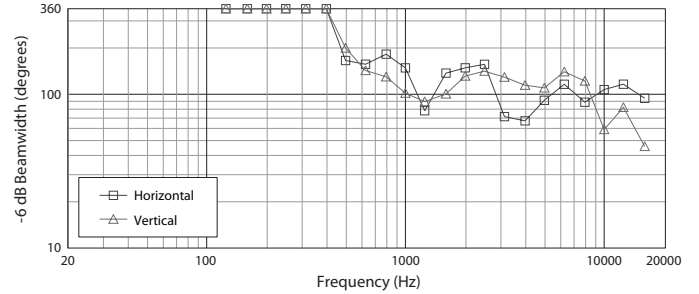
JBL continually engages in research related to product improvement. Some materials, production methods and design refinements are introduced into existing products without notice as a routine expression of that philosophy. For this reason, any current JBL product may differ in some respect from its published description, but will always equal or exceed the original design specifications unless otherwise stated.

► KS310 10 Inch Full Range Loudspeaker System

Frequency Response and Impedance:

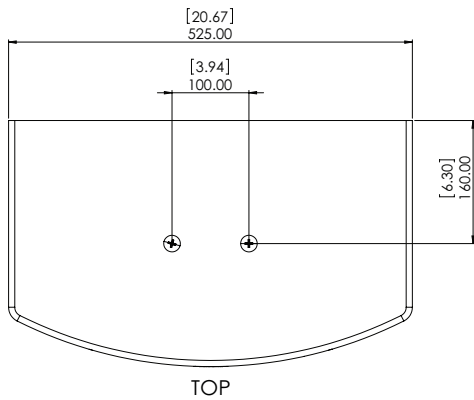


Beamwidth:

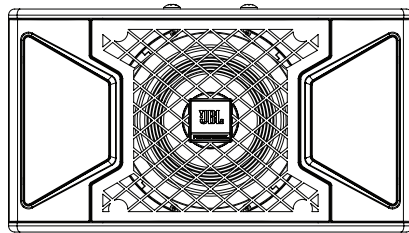


Dimensions:

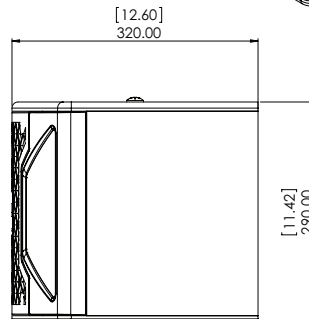
Dimensions in mm (inch)



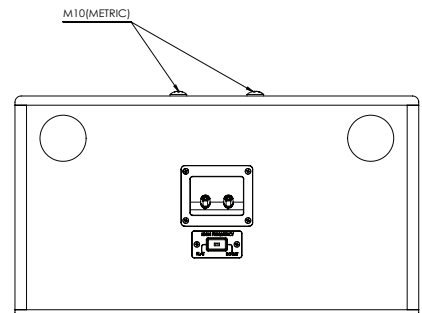
TOP



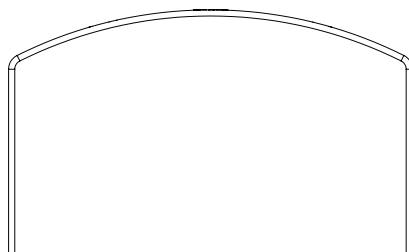
FRONT



SIDE



BACK



BOTTOM



JBL Professional
 8500 Balboa Boulevard, P.O. Box 2200
 Northridge, California 91329 U.S.A.
 © Copyright 2011 JBL Professional
 www.jblpro.com

SSKS310
 SZ
 10/11