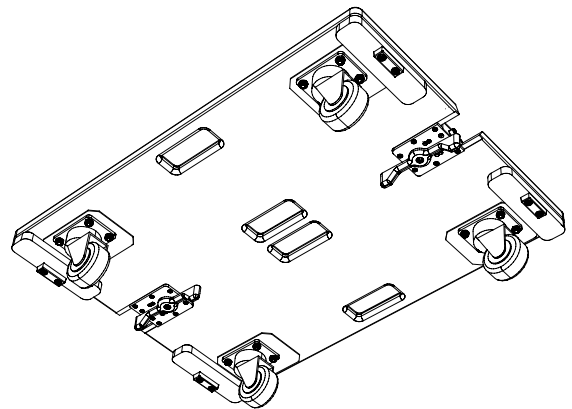
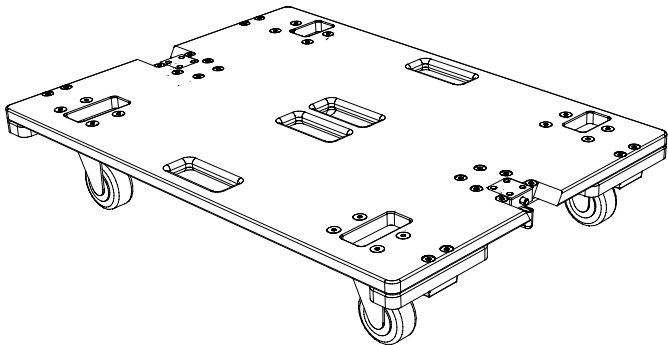


HIGHLIGHTS

- Compatible with VTX B18
- Includes protective cover and casterboard
- Handle cutouts and rear panel access flap
- Tour grade casters
- Stackable for convenient storage
- Rotating release/lock cam mechanisms for secure attachment to B18 enclosures

DESCRIPTION

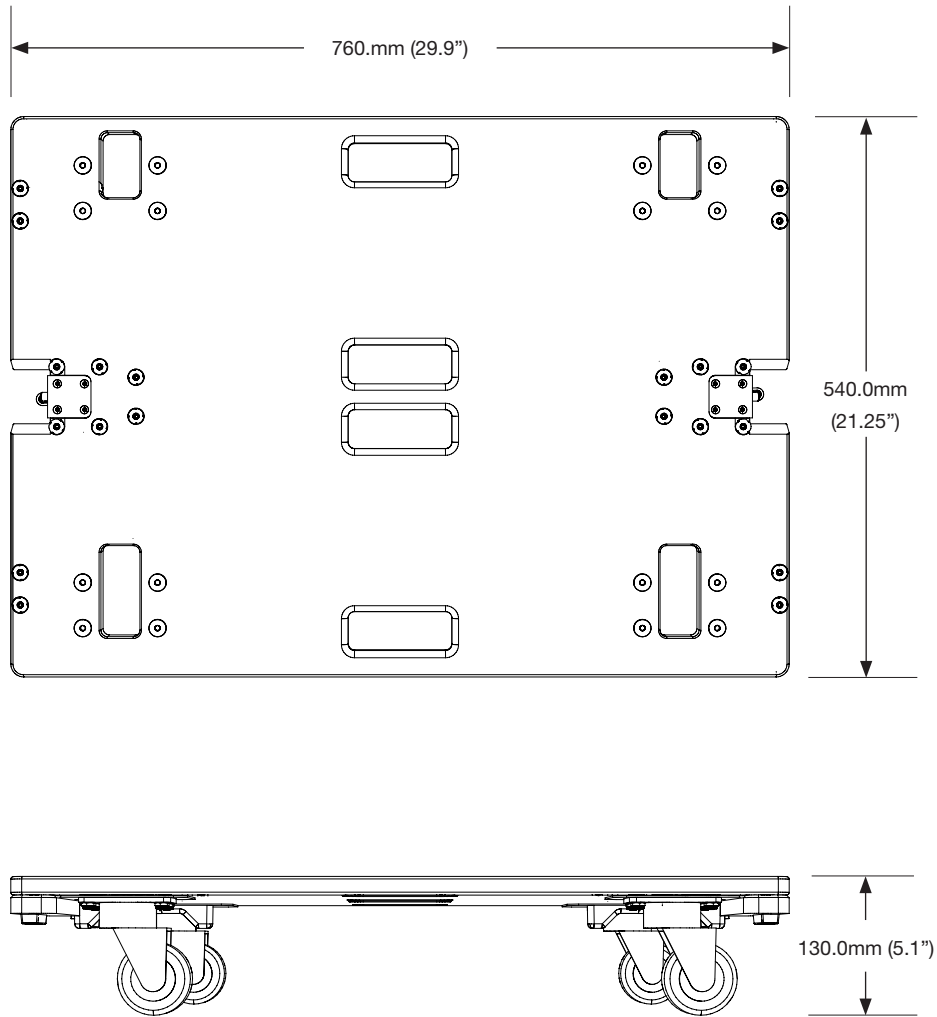
VTX Series B18 Accessory Kit for transportation and protection of one VTX B18 enclosure. Includes: padded, reinforced protective cover with handle cutouts and rear panel access flap; dolly caster-board with rugged, tour grade casters and rotating cam mechanisms for secure attachment to the B18 enclosure. Beveled recessed cams, auto-locate with B18 caster board mount tabs. The rotating cam mechanism can be released while B18 cabinets are face down during the suspension process (no need to manually remove caster board).



INCLUDED

- 1 x Caster-board for VTX B18
- 1 x Padded protective cover for VTX B18

DIMENSIONS



TECHNICAL SPECIFICATIONS

Construction: Board: exterior grade birch plywood
Hardware: stainless steel/zinc plated steel

Finish: Black JBL Duraflex™ finish

Dimensions (H x W x D)¹: 130.0 mm x 760.0 mm x 540.0 mm
(5.1 in x 29.9 in x 21.25 in)

Net Weight²: 10.1 kg (22.4 lbs)

Footnotes:

- 1: Refer to the 2D and 3D Customer Drawings for more detailed dimensions
- 2: Weight includes caster-board and soft-cover

JBL continually engages in research related to product improvement. Some materials, production methods and design refinements are introduced into existing products without notice as a routine expression of that philosophy. For this reason, any current JBL product may differ in some respect from its published description, but will always equal or exceed the original design specifications unless otherwise stated.