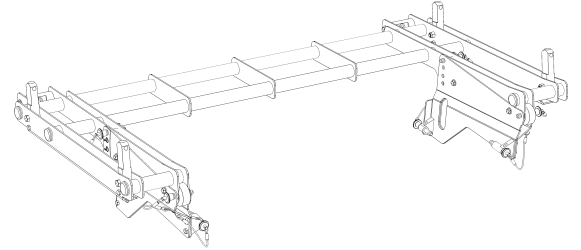


## VTX-V20-DF | Down Fill Adapter

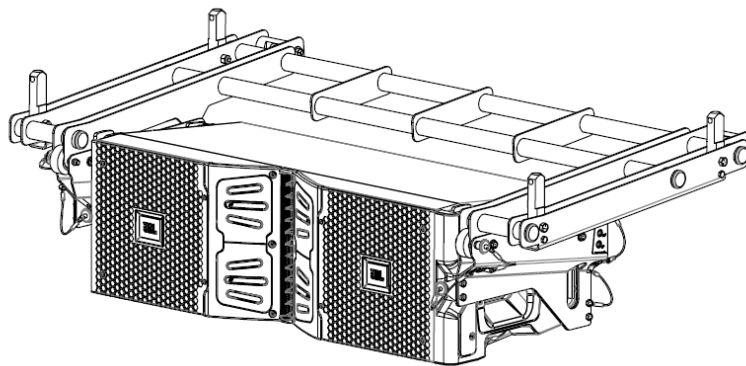
### Features:

- Angle options: 3.5deg, 7.5deg, 11deg
- Lightweight design
- Precise HF exit alignment between V25-II and V20
- Support for up to 6x VTX V20 cabinets



### Description:

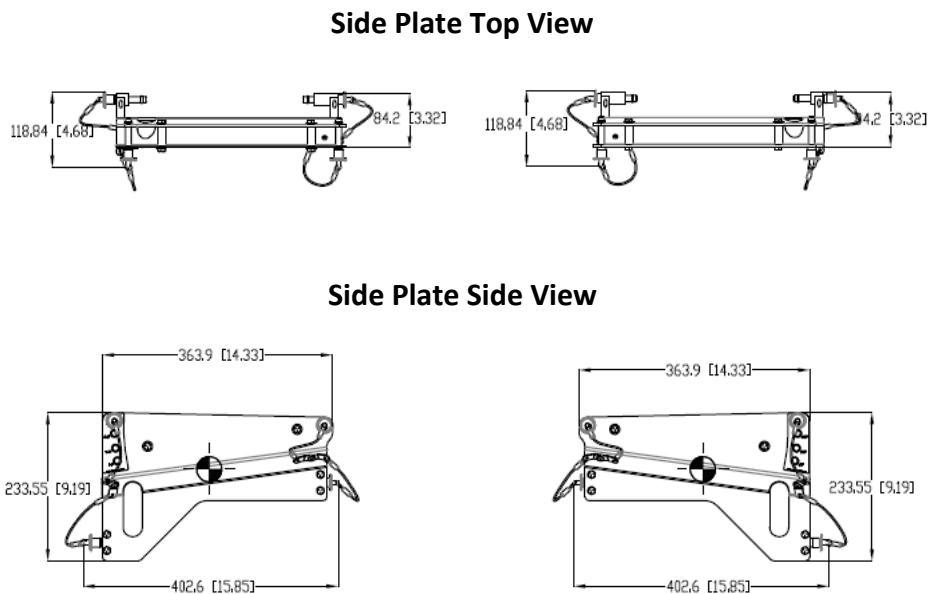
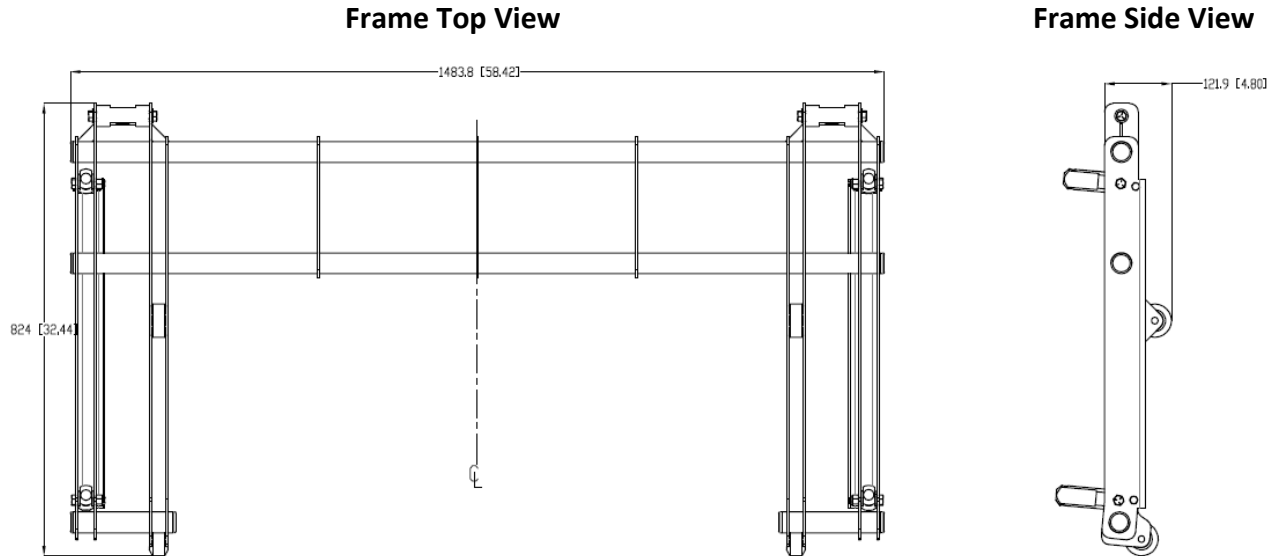
Designed to facilitate fast attachment and precise alignment of VTX V20 and V25-II / V25-II-CS systems, the VTX V20-DF is a lightweight solution for providing wider coverage at the bottom of VTX V25-II / V25-II-CS arrays. Lightweight design with multiple options for angle between V25-II / V25-II-CS and V20 (3.5deg, 7.5deg, 11deg). Able to be used as a down-fill adapter frame for V25-II arrays, or as a downfill adapter frame + pullback frame for compression of VTX V25-II-CS arrays with V20 downfill. Supports up to 6x VTX V20 cabinets suspended underneath VTX V25-II / V25-II-CS.



### Included:

- 1 x VTX-V20-DF Main Frame
- 2 x VTX V20 Side Panels

## Dimensions:



## Specifications:

Specifications:	
Material	Steel, Aluminum and Stainless Steel
Weight (Total)	25 Kg (54.8 lbs)
Weight (Frame Only)	18 Kg (40 lbs)
Finish	Black Powder coat and black everlube